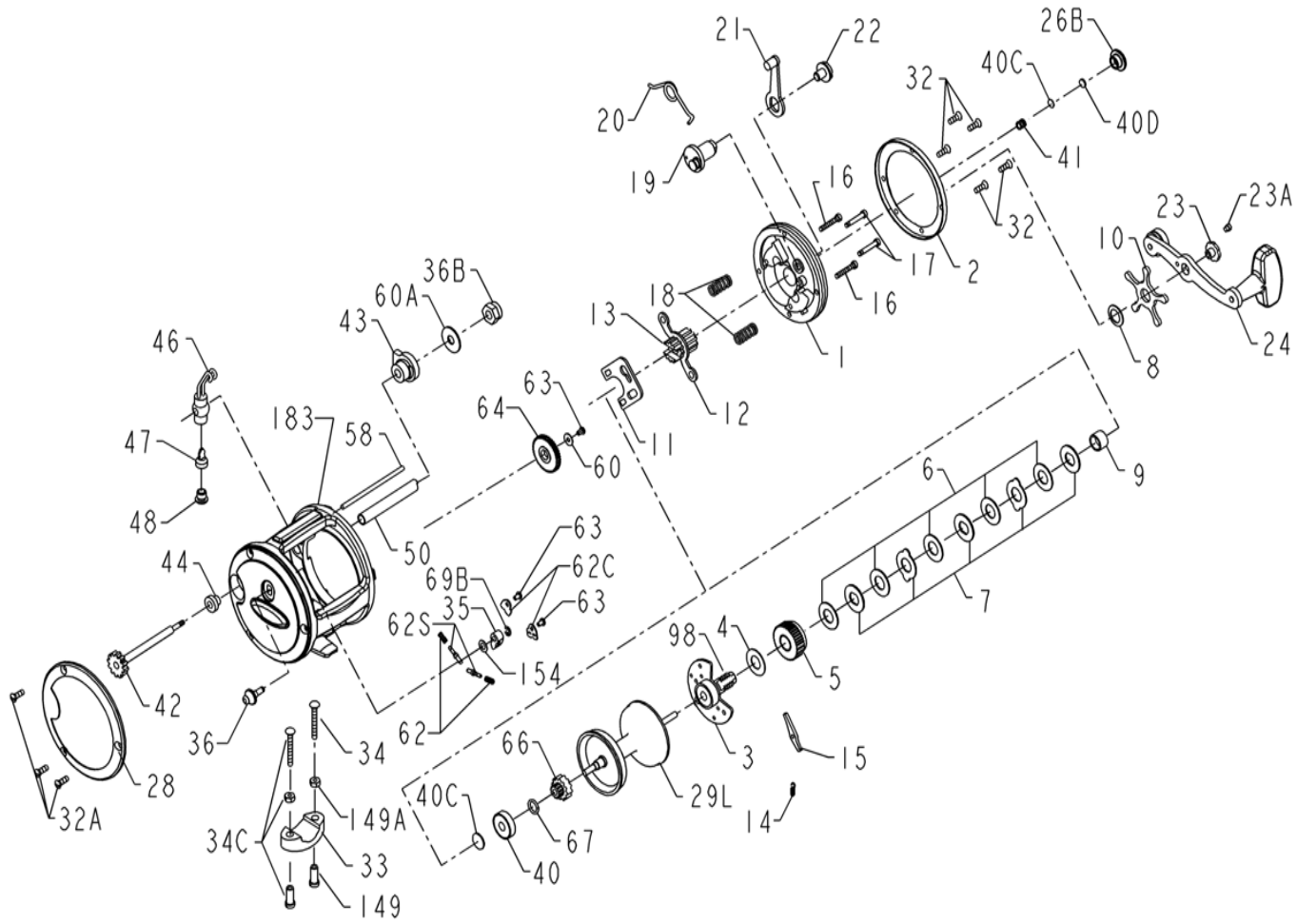




PARTS LIST FOR MODEL 330GTi



| KEY NO. | PART NO. | DESCRIPTION |
|---------|-----------|-------------------------------|
| 1 | 001 330 | Right Side Plate |
| 2 | 002 330 | Side Ring |
| 3 | 003 330 | Bridge Assembly |
| 4 | 004 349 | Fiber Washer |
| 5 | 005N320 | Main Gear |
| 6 | 006 320 | Friction Drag Washer (5 req.) |
| 7 | 007C970 | Metal Drag Washer (Set of 5) |
| 8 | 008 349 | Tension Spring |
| 9 | 009 320 | Spacing Sleeve |
| 10 | 010 349 | Star Drag |
| 11 | 011 330 | Eccentric Jack |
| 12 | 012 060 | Pinion Yoke |
| 13 | 013N330 | Pinion Gear |
| 14 | 014 330 | Dog Spring |
| 15 | 015 330 | Dog |
| 16 | 016 113H | Lower Bridge Screw (2 req.) |
| 17 | 017 113H | Upper Bridge Screw (2 req.) |
| 18 | 018 060 | Clutch Spring (2 req.) |
| 19 | 019 330 | Eccentric Cam |
| 20 | 020 155 | Eccentric Spring |
| 21 | 021 309 | Eccentric Lever Assembly |
| 22 | 022 060CH | Eccentric Screw |
| 23 | 023 114 | Handle Assembly Screw |
| 23A | 110 060 | Handle Lock Screw |
| 24 | 024 225 | Handle Assembly |
| 26B | 026B330 | Spool Tension Control Cap |
| 28 | 028N330 | Left Side Ring |
| 29L | 029L330 | Aluminum Spool |
| 32 | 032 017 | R.S. Plate Screw (5 req.) |
| 32A | 032 310 | L.S. Ring Screw (3 req.) |
| 33 | 033 113 | Rod Clamp |
| | *033R 200 | Ringed Rod Clamp (Optional) |
| 34 | 034 045 | Clamp Screw Only |
| 34C | 034C045 | Clamp Screw w/Nuts |
| 35 | 035 310N | Click Tongue |
| 36 | 036N320LD | Click Button |
| 36B | 036 700 | Worm Shaft Nut |
| 40 | 040 320 | Ball Bearing |
| 40C | 040C 320 | Metal Thrust Washer (2 req.) |
| 40D | 040D 320 | Rubber Thrust Washer |
| 41 | 041 330 | Right Side Thrust Spring |
| 42 | 042 330N | Worm |
| 43 | 043 330 | Right Side Worm Bearing |
| 44 | 044 330 | Left Side Worm Bearing |
| 46 | 046 330N | Line Guide Carriage |
| 47 | 047 975 | Pawl |
| 48 | 048 330N | Pawl Cover Screw |
| 50 | 050N330 | Worm Shield |
| 58 | 058 330 | Line Guide Post |
| 60 | 060 320 | Idler Gear Washer |
| 60A | 060 320 | Worm Gear Washer |
| 62 | 062 545 | Click Spring (2 req.) |
| 62C | 062C321LH | Click Spring Cover (2 req.) |
| 62S | 062S310 | Click Pin (2 req.) |
| 63 | 063 500S | Idler Gear Screw (3 req.) |
| 64 | 064 330 | Idler Gear |
| 66 | 066 320 | Spool Gear Click Ratchet |
| 67 | 067 009 | Spool Gear Lock Ring |
| 69B | 069B600 | Retaining Ring Click Button |
| 98 | 098 320 | Gear Sleeve w/Pin |
| 149 | 149 045 | Clamp Nut Only |
| 149A | 149 200 | Hex Nut Only |
| 154 | 154 117 | Click Button Washer |
| 183 | 183N330 | Frame |

*Not Shown