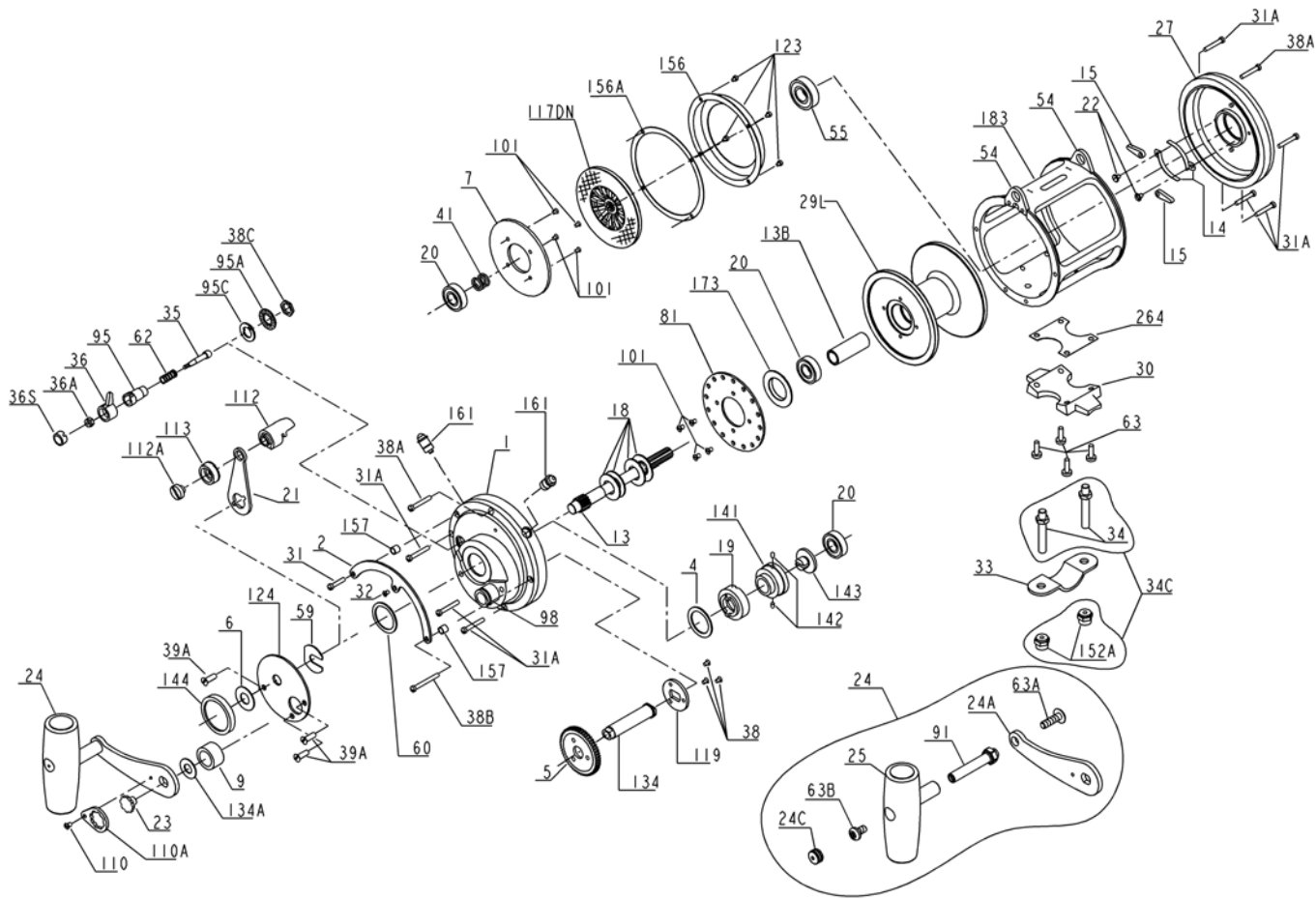




# PARTS LIST FOR MODEL 30T AND 30TW



KEY NO.	DESCRIPTION	30T PART NO.	30TW PART NO.
1	Right Side Plate Assembly	001 030TN	001 030TN
2	Quadrant Ring	002 030	002 030
4	Cam Thrust Washer	004 030	004 030
5	Main Gear	005 050	005 050W
6	Spacer Washer	006 155	006 155
7	Metal Drag Washer	007 030	007 030
9	Spacer Sleeve	009 030	009 030
13	Pinion Gear	013 030	013 030TW
13B	Spool Sleeve	013B30T	013B30TW
14	Dog Spring (2 req.)	014 050	014 050
15	Dog (2 req.)	015 050	015 050
18	Disc Clutch Spring (4 req.)	018 030	018 030
19	Eccentric Cam	019 030W	019 030W
20	Ball Bearing (3 req.)	020 704	020 704
21	Eccentric Lever	021 030	021 030

KEY NO.	DESCRIPTION	30T PART NO.	30TW PART NO.
22	Dog Spring Screw (2 req.)	022 109	022 109
23	Handle Screw	023 114	023 114
24	Handle Complete	024 030TW	024 030TW
24A	Handle Blank Only	024 030TW-1	024 030TW-1
24C	Handle Knob Cap	024C050	024C050
25	Handle Knob Assembly	025 050	025 050
27	L.S. Plate Assembly	027 030T	027 030T
29L	Spool	029L030T	029L 030TW
30	Stand	030 020T	030 020T
31	Short Quadrant Screw	031T020	031T020
31A	Frame Screw (7 req.)	031T080	031T080
32	Center Quadrant Screw	032T020	032T020
33	Rod Clamp	033 990	033 114
34	Clamp Screw (Only)	034 50T	034 50T
34C	Rod Clamp Screw w/Nut	034C050T	034C050T
35	Click Tongue	035 050N	035 050N
36	Click Button	036N050	036N050
36A	Click Button Nut	036 700	036 700
36S	Click Button Cap	036S080ST	036S080ST
38	Coupling Plate Screw (3 req.)	038N007	038N007
38A	Frame Screw (2 req.)	038T050	038T050
38B	Long Quadrant Screw	038T080	038T080
38C	Click Bushing Nut	038 710	038 710
39A	Cover Screw (3 req.)	039A080S	039A080S
41	L.S. Bearing Spring	041 050	041 050
*	Cam Housing Screw	046A704	046A704
54	Harness Lug (2 req.)	054 030T	054 030T
55	L.S. Bearing	055 080	055 080
59	Slotted Washer	059 050	059 050
60	Backing Washer	060 050	060 050
62	Click Spring	062 050	062 050
63	Stand Screws (4 req.)	063 030T	063 030T
63A	Screw	063A050	063A050
63B	Screw	063 050	063 050
81	Ratchet	081 050	081 050
91	Handle Rivet	091N050	091N050
95	Click Tongue Bushing	095 050	095 050
95A	Click Bushing Washer	095A020	095A020
95C	Click Bushing Washer	095A050	095A050
98	Bridge Bushing	098 030TN	098 030TN
101	Drive Plate Screw (8 req.)	101 030	101 030
110	Handle Lock Screw	110 050	110 050
110A	Handle Locking Plate	110A050	110A050
112	Eccentric Lever Knob	112 050	112 050
112A	Eccentric Knob Screw	112A050	112A050
113	Eccentric Lever Cap	113 050	113 050
117DN	Drive Plate w/ Drag Washer	117DN030	117DN030
119	Coupling Plate	119 050	119 050
123	Drag Cover Screw (4 req.)	123 050	123 050
124	Bridge Cover	124 030	124 030
*	Cam Housing	125 030	125 030
134	Gear Stud	134 050	134 050
134A	Gear Stud Washer	134A050	134A050
141	Cam Follower	141 030	141 030
142	Cam Follower Pin (2 req.)	142 050	142 050
143	Adjusting Screw	143 030	143 030
144	Preset Knob	144 050	144 050
152A	Rod Clamp Acorn Nut (2 req.)	152A050T	152A050T
156	Drag Cover	156 030T	156 030T
156A	Drag Cover Seal	156A030	156A030
157	Quadrant Spacer Bushing (2 req.)	157 050	157 050
161	Locating Pin Assembly (2 req.)	161C070	161C070
173	Spool Bushing	173 030T	173 030T
183	Tube Frame	183 030T	183 030TW
264	Stand Gasket	264 030T	264 030T
	*Not Shown		