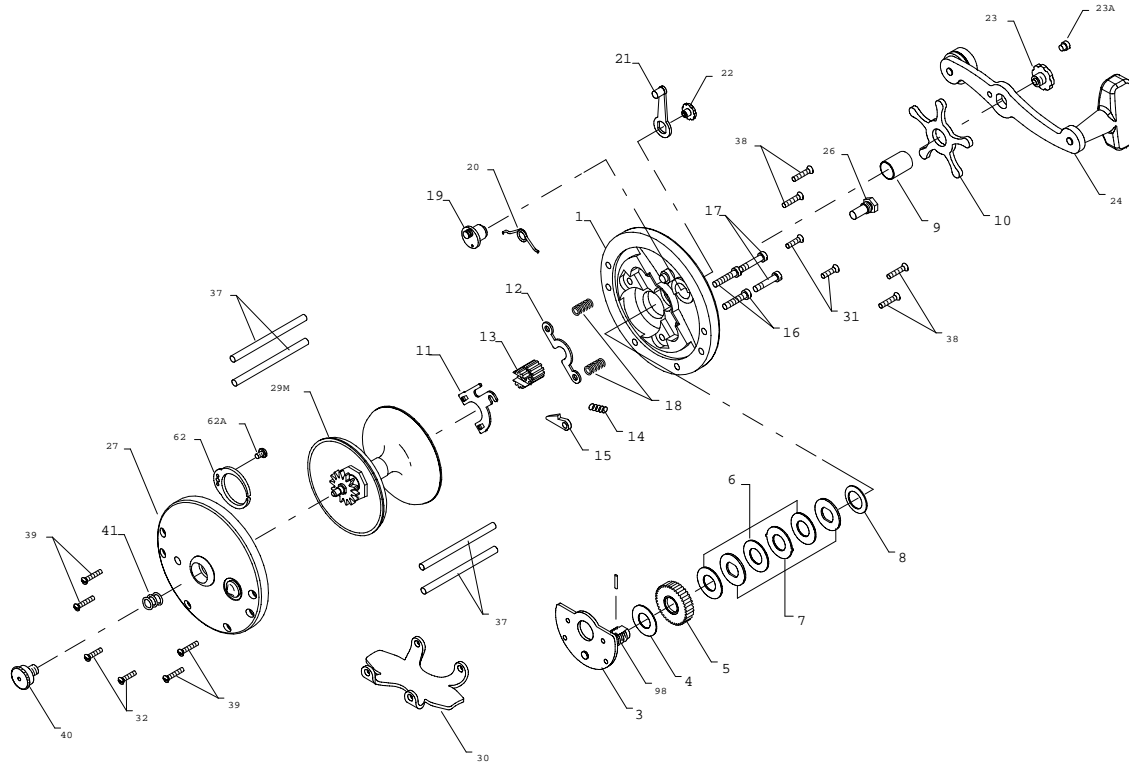




**PARTS LIST FOR MODEL 285M**



KEY NO.	PART NO.	DESCRIPTION
1	001 285	Right Side Plate
3	003 066	Bridge w/Sleeve
4	004 060	Fiber Washer
5	005 060	Main Gear
6	006 060	Drag Washer (3 req.)
7	007C060	Metal Washer Set
8	008 060	Tension Spring
9	009 060	Spacing Sleeve
10	010 060	Star Drag Wheel
11	011 060	Eccentric Jack
12	012 060	Pinion Yoke
13	013 060	Pinion
14	014 099	Dog Spring
15	015 099	Dog
16	016 060	Lower Bridge Screw
17	017 060	Upper Bridge Screw
18	018 060	Clutch Spring
19	019 060	Eccentric
20	020 060	Eccentric Spring
21	021 285	Eccentric Lever
22	022 060	Eccentric Screw
23	023 060	Handle Screw
23A	110 060	Handle Lock Screw
24	024 155	Handle
26	026 060	R.S. Bearing
27	027 285	L.S. Plate
29M	029M060	Spool
30	030 060	Stand
31	032 016	R.S. Stand Screw
32	032 022	L.S. Stand Screw
37	037 060	Frame Post
38	038 008	R.S. Post Screw
39	038 008	L.S. Post Screw
40	040 060	L.S. Bearing
41	041 060	L.S. Bearing Spring
62	062 309	Click Spring
62A	031 2.5FR	Click Spring Screw
98	098 060	Gear Sleeve